



SNOW FENCE, RIDGE AND ROOF FOOT RAIL

M-204 2604 GB



Snow fence, profile grating

Slide the profile gratings through the brackets. Max protrusion from the outermost bracket 200 mm.

Extension shall be made with a screw (2 x A) and flange nut (2 x B).

Locking plates are installed with screw (2 x C) on the outside of the outermost brackets in each continuous length.

Roof mount

Smooth roof

M-085

Slate roof

M-133

Sheet metal roof

M-222

Tiled roof

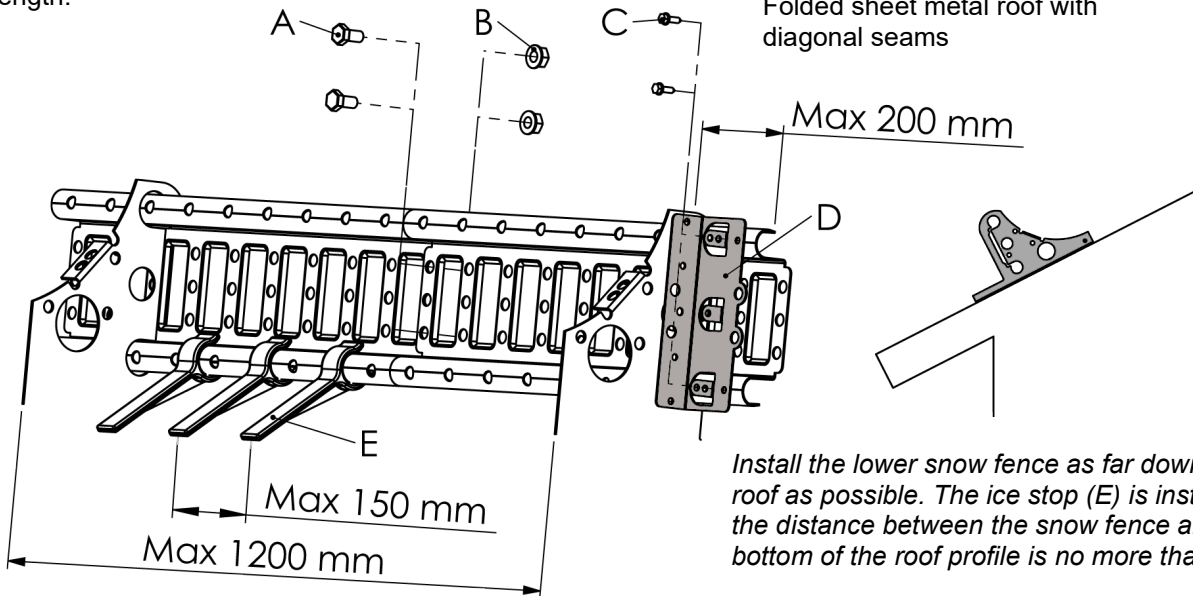
M-223

Sedum roof with risers

M-229

Folded sheet metal roof with diagonal seams

M-235



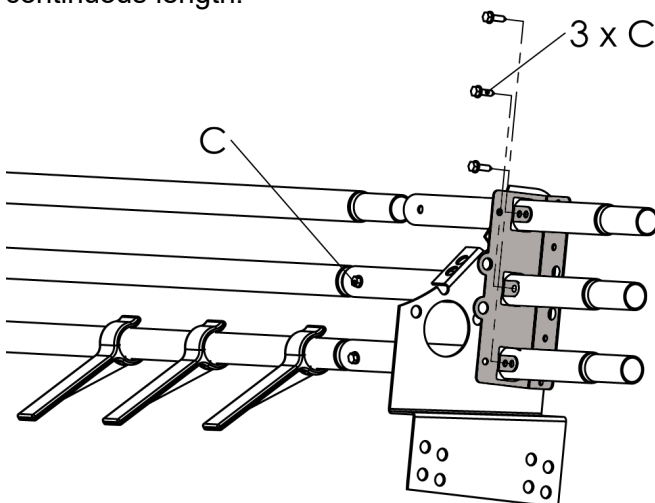
Install the lower snow fence as far down on the roof as possible. The ice stop (E) is installed where the distance between the snow fence and the bottom of the roof profile is no more than 70 mm.

Snow fence with three tubes

Max protrusion from the outermost bracket 200 mm.

Extension of the fence tubes is to be done with inserts and self-tapping screw (C).

Locking plates are installed with screws (3 x C) on the outside of the outermost brackets in each continuous length.

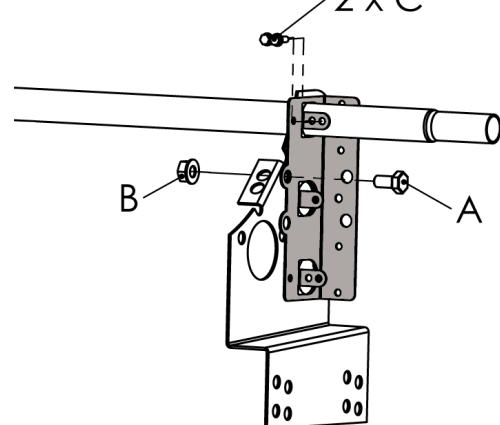


Ridge and roof foot rail* with one tube

Max protrusion from the outermost bracket 200 mm.

At one end of the fence, the locking plate is attached with a screw (A), flange nut (B) and screw (2 x C).

At the other end of the fence, the other locking plate is attached on the outside of the outermost bracket on the tube using screws only (2 x C).



***The snow fence comprising a profiled grating and three tubes also serves as a roof foot rail.**

For enhanced snow fence protection, see installation instructions M-398.

A= Screw, hot galv. M10 x 20, B= Flange nut M10,

C= Self-tapping stainless steel screw 20 x 5.5 mm, D= Locking plate, E= Ice-stop