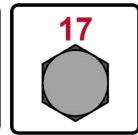


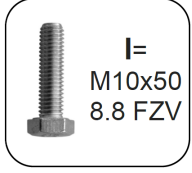
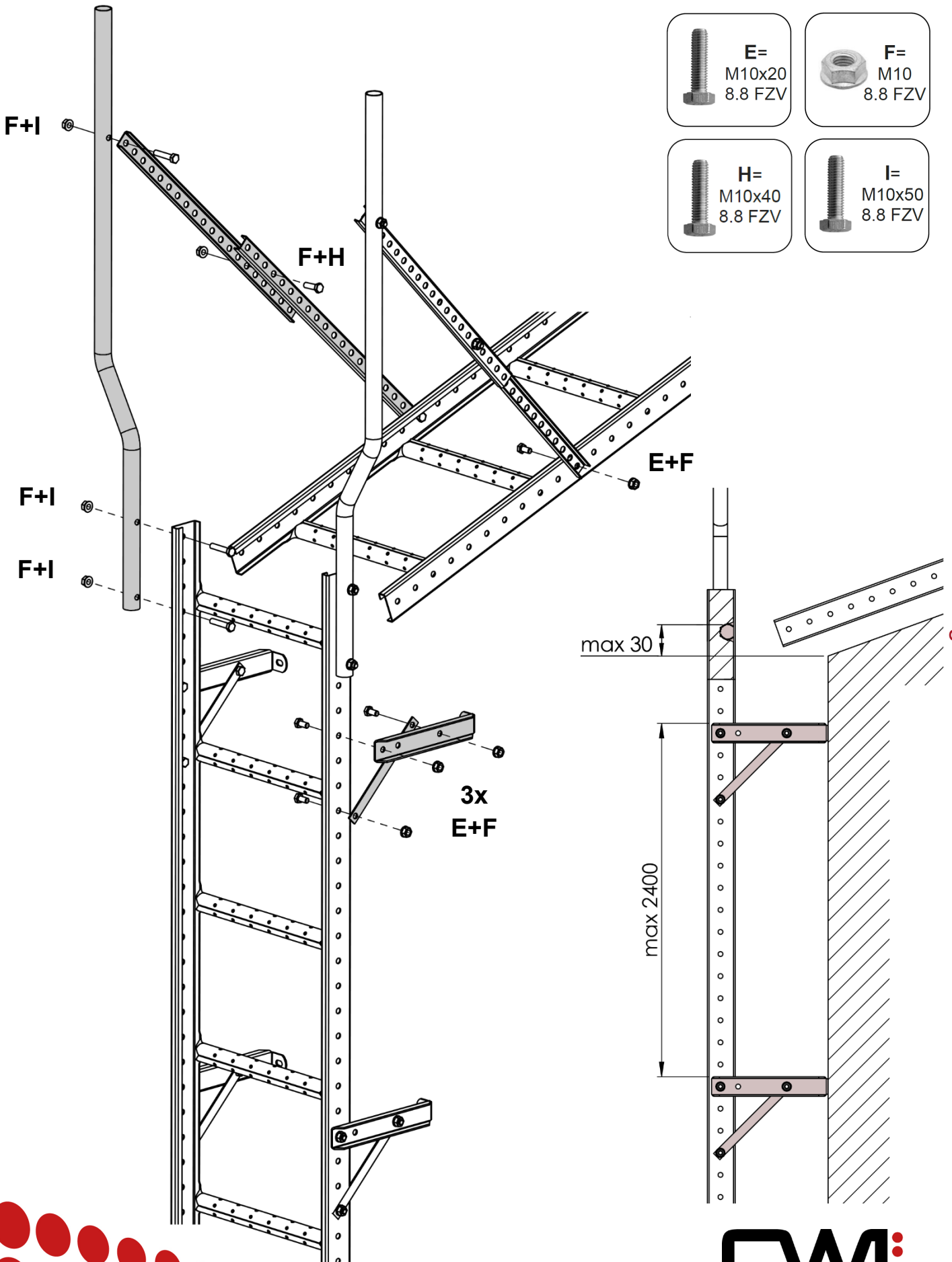


M-302-1 2008

M-130 M-273 M-295 M-305



[mm]

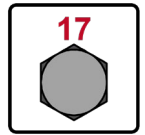


cwlundberg.com

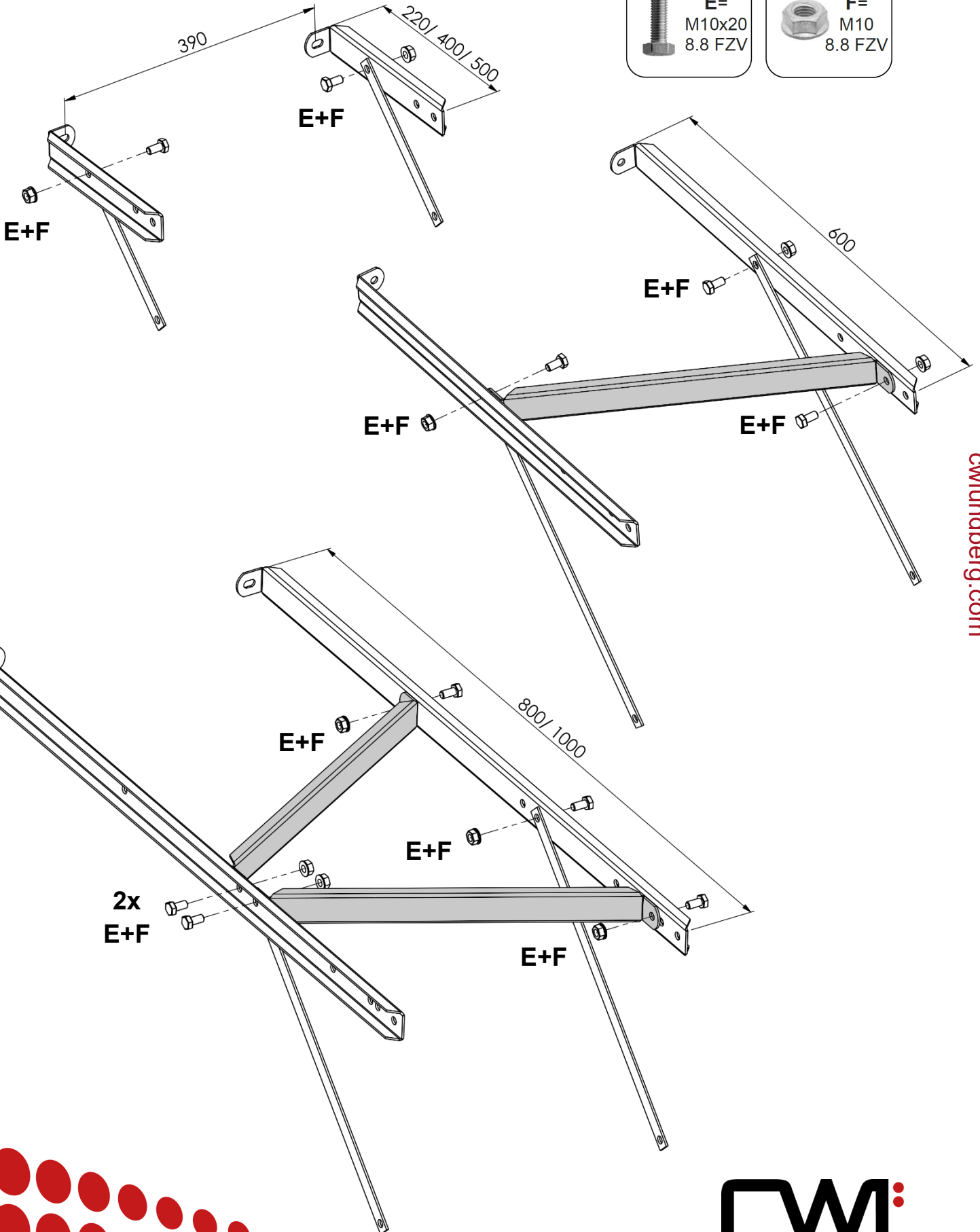
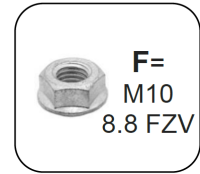


M-302-2 2007

M-130 M-305



[mm]



cwlundberg.com





M-302-3 2007

M-305



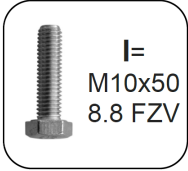
[mm]



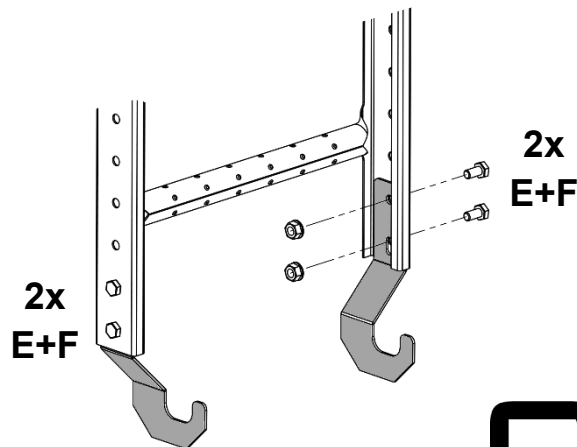
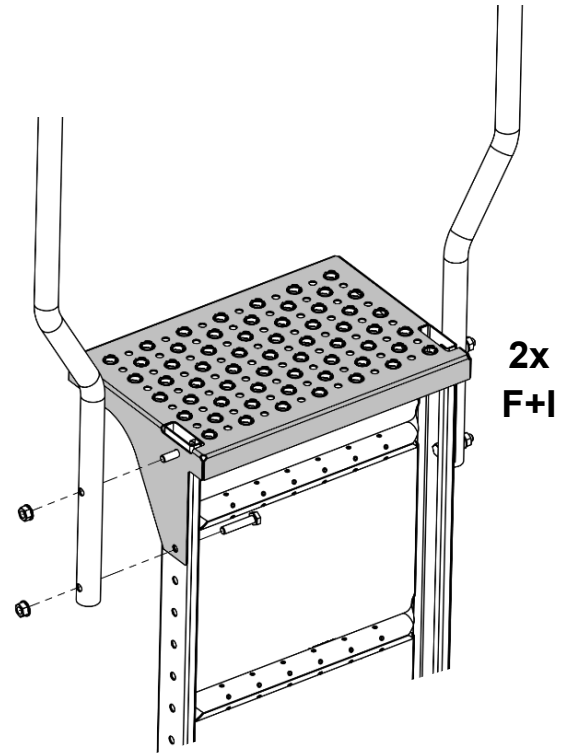
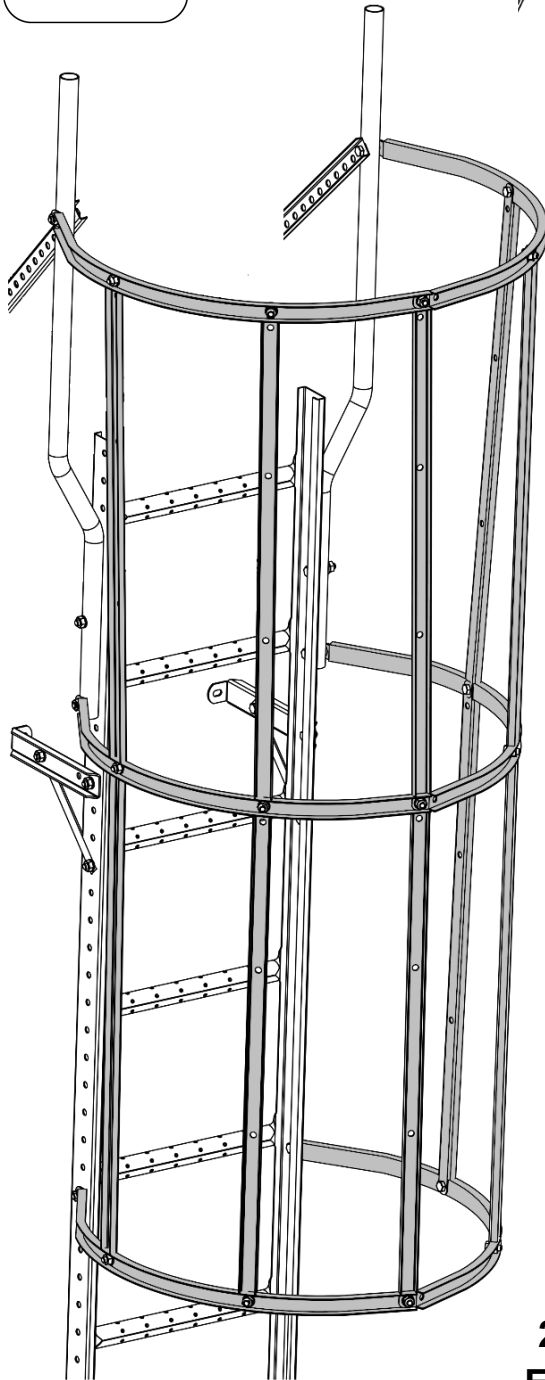
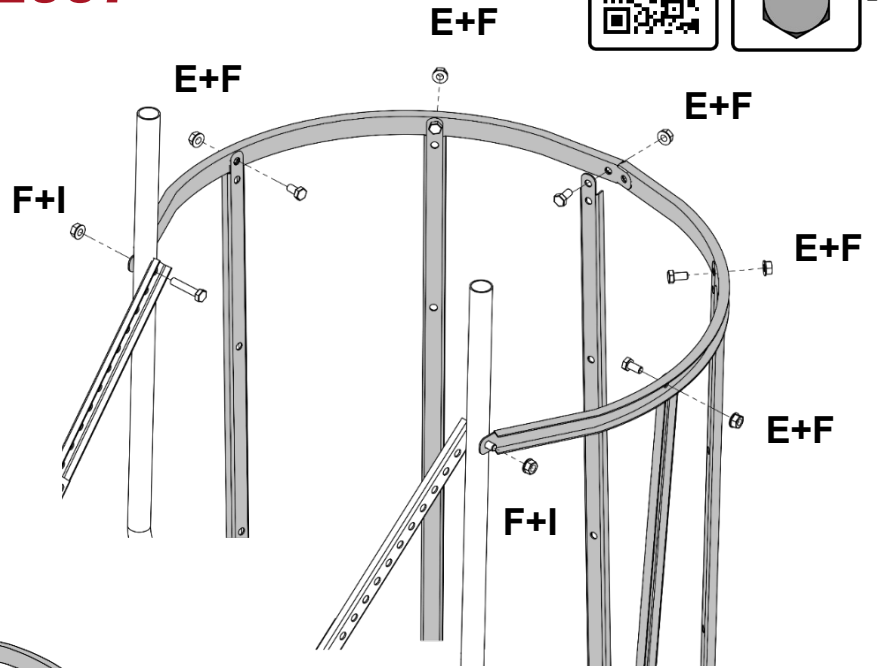
E=
M10x20
8.8 FZV



F=
M10
8.8 FZV



I=
M10x50
8.8 FZV



cwlundberg.com